

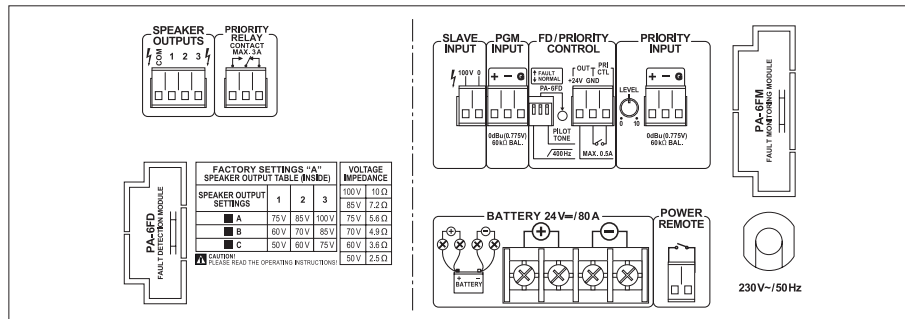
PA-1960

Order No. 0172550



High-power mono PA amplifier

- 1 x 960 W
- Additional, adjustable priority input with switchable priority function
- 100 V slave input for inserting the amplifier into a 100 V speaker line
- Switchable 400 Hz high-pass filter 6 dB/oct.
- 2 insertion facilities on the rear panel for optional modules with the following features:
 - PA-6FD: fault detection module
 - PA-6FM: fault monitoring module
- Connection for external on/off switch (remote start)
- Temperature-controlled fan, continuously adjustable
- LED indication for fault, protect, clip, signal, priority
- Mains operation or 24 V emergency power operation



Model	PA-1960
Power rating	960 W
Power rating at 100 V	1 x 960 W
Output impedance	75 V/5.6 Ω, 85 V/7.2 Ω, 100 V/10 Ω
Inputs	0.775 V/60 kΩ, bal.
Frequency range	35-20,000 Hz
S/N ratio	> 100 dB
THD	< 0.4%
Power supply	~ 230 V/50 Hz/2,600 VA, = 24 V/80 A
Standby current	= 24 V
Dimensions	483 x 133 x 374 mm, 3 RU
Weight	25 kg

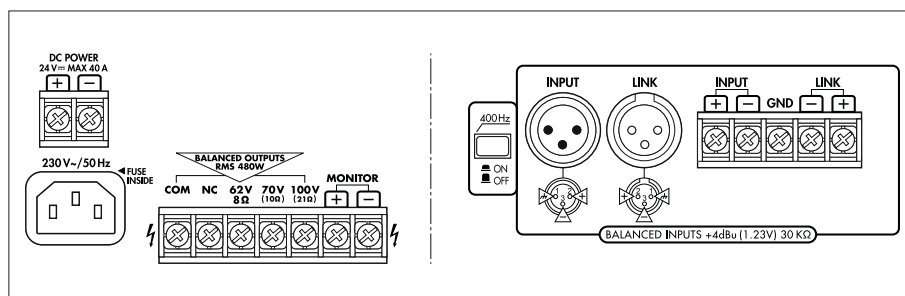
PA-1480

Order No. 0171110



Mono PA power amplifier

- 1 x 480 W
- Switchable 400 Hz high-pass filter 6 dB/oct.
- Temperature-controlled fan, continuously adjustable
- LED indication for clip, protect, overtemperature and output level
- Feed-through output (link)
- Mains operation or 24 V emergency power operation



Model	PA-1480
Power rating	480 W
Power rating at 8 Ω	1 x 480 W
Power rating at 100 V	1 x 480 W
Output impedance	62 V/8 Ω, 70 V/10 Ω, 100 V/21 Ω
Inputs	1.2 V, bal.
Frequency range	35-20,000 Hz
S/N ratio	> 100 dBA
THD	< 1%
Power supply	~ 230 V/50 Hz/1,400 VA, = 24 V/40 A
Dimensions	483 x 88 x 374 mm, 2 RU
Weight	15.2 kg