

CONTEG DATASHEET

FREE-STANDING RACKS

iSEVEN RI7

CONTEG, spol. s r.o.

Headquarters:

Na Vítězné pláni 1719/4
140 00 Prague 4
Czech Republic
Tel.: +420 261 219 182
Fax: +420 261 219 192

Production plant:

K Silu 2179
393 01 Pelhřimov
Czech Republic
Tel.: +420 565 300 300
Fax: +420 565 533 955

conteg@conteg.com
www.conteg.com

Local Branches/Offices

Austria / Germany / Switzerland:	+420 724 723 184
Benelux:	+32 477 957 126
Southeastern Europe:	+49 172 8484 346
Finland:	+358 50 414 1257
France / Italy / Maghreb:	+33 686 074 386
Middle East:	+971 4445 2838
Russia / CIS:	+7 495 967 3840
Saudi Arabia:	+966 594 30 13 08
Ukraine:	+380 674 478 240

2.9 iSEVEN RI7

The iSEVEN 19" rack has been designed to provide the user with an unmatched ratio between price, utility value, and quality. This rack is the ideal choice for installers and end-users who want to spend less time choosing between various options and configuring difficult product part numbers. After thorough research, we have prepared a portfolio of the most common dimensions together with one universal design.

iSEVEN



RI7- 42-80/80

DESCRIPTION:

Sizes

- Height: 15, 21, 27, 33, 42, 45, 48U
- Width: 600, 800 mm
- Depth: 600, 800, 1000 mm

Construction

- Welded-frame design
- 1.5 mm sheet steel

Load rating

- 15 - 33U: 300 kg
- 42 - 48U: 500 kg

19" vertical extrusions

- 2 pairs of sliding 19" extrusions, adjustable from inside

IP rating

- Standard IP30

Colors

- Standard RAL 7035 and 9005

Front door

- Security glass door with swivel handle lock – DIN profile, universal key 333
- Optionally: sheet steel door, vented door or perforated door – perforation rate 86%
- Easy re-hanging to open on right or left
- Door opening angle 180°

Rear panel

- Removable with knock-out cable entry and lock
- Optionally: sheet steel door, vented door or perforated door – perforation rate 86%

Side panels

- Removable with locks

Knock-out openings – cable entry

- Universal size 300×100 mm – rear side of top and bottom plate and rear panel
- Universal openings can be covered by blank panels (ordered separately)
- Extended size 500×115 mm – both sides of top and bottom plate. It consists of 3 parts – 300×115 mm and 2× -100×115 mm, each can be opened individually
- Extended opening can be covered by a blank panel or standard cable brush - middle opening. Opening can be protected by rubber piece for edges (DP-KP-LEM-6) or brushes protection (DP-KP-KAR-6)

Knock-out openings – ventilation unit installation

- Standard size 480×280 mm (1000 mm deep – 480×440 mm)
- Available in top and bottom plate
- Can be covered by blank panels (ordered separately)

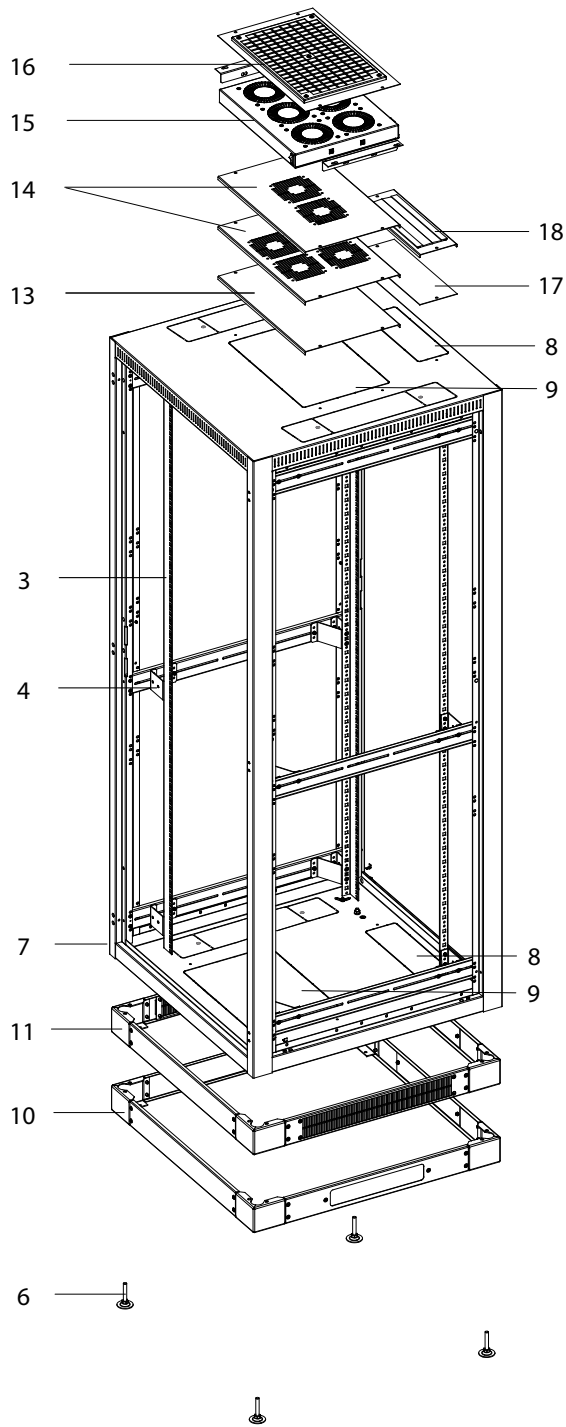
Adjustable Feet

COLOR SAMPLER:

RAL 9005

RAL 7035



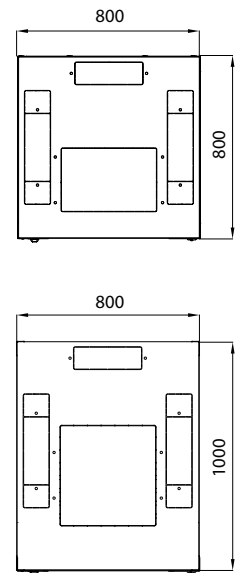
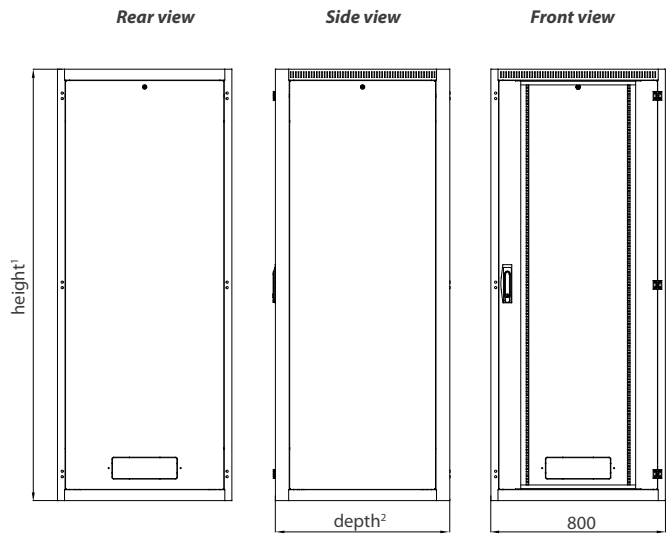
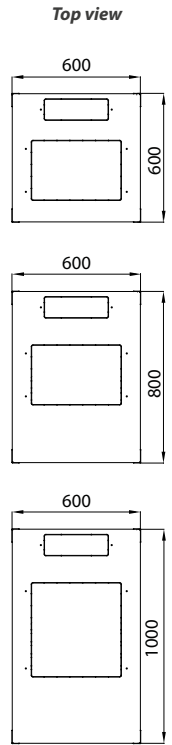
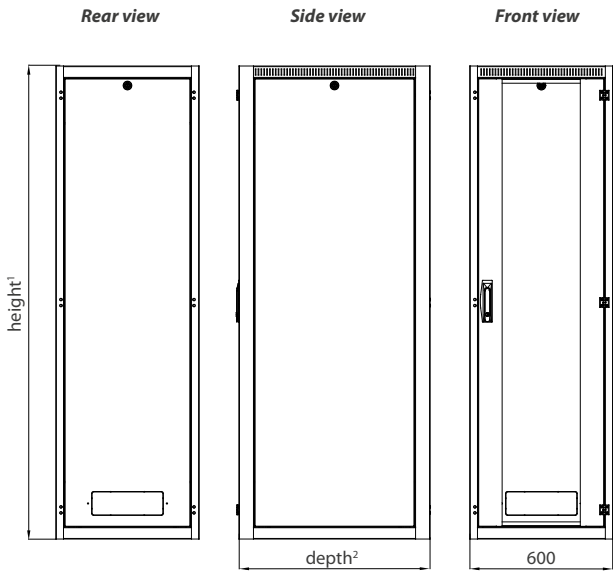


STANDARD EQUIPMENT

3	4 pcs of 19" vertical extrusions
4	Holders for vertical extrusions
6	Adjustable feet
7	Frame of rack
8	Top and bottom knock-out openings for cable entry
9	Top and bottom knock-out openings for ventilation unit
-	GND/earthing kit
-	28 mounting kits

SOME OPTIONAL EQUIPMENT/ ACCESSORIES

10	Plinth
11	Plinth with filter
13	Blank panel
14	Blank panels for ventilation unit openings
15	Ventilation unit
16	Perforated gland plate
17	Blank panel for cable entry openings
18	Dust-proof panel with brush for cable entry openings



¹ available heights:
 - 15U/778 mm, 21U/1 044 mm, 27U/1 311 mm, 33U/1 578 mm, 42U/1 978 mm,
 45U/2 111 mm, 48U/2 245 mm

² available depths:
 - for width 600 mm – 600, 800, 1000 mm
 - for width 800 mm – 800, 1000 mm

³ when rear doors applied (rear panel as standard) the max. angle is 180°

Ventilation unit openings

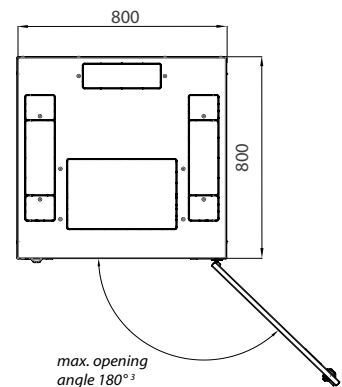
420x280 mm (depth 1000 mm – 420x440 mm)

Cable entries

300x100 mm 1x on top and bottom - rear

500x115 mm 2x on top and bottom - side; for width 800 mm

Example - opened door



Note: All dimensions in mm

ORDERING AND SHIPPING INFORMATION: Configure the rack that will meet your requirements. The ordering matrix below will help you to create the part number. As soon as you have the part number, please contact your Conteg products distributor. Please note that all **RI7 RACKS ARE DELIVERED FULLY ASSEMBLED** and palletized!

FOLLOW THE STEPS TO SET UP THE DESIRED RI7 RACK PRODUCT CODE!

- R
- I
- 7
-
- 1.
-
- 2.
- /
- 3.
- 4.
-
- 5.
- 6.
- 7.
- 8.
- 9.
-
- 10.
- 11.
- 12.
-
- 13.

HEIGHT		
Code	Height in U	External height in mm
15	15	778
21	21	1045
27	27	1311
33	33	1578
42	42	1978
45	45	2111
48	48	2245

WIDTH	
Code	Width in mm
60	600
80 ¹	800

¹ only depth 800 and 100 mm

DEPTH		
Code	Depth in mm	Useful depth in mm
6	600	590
8	800	790
10	1000	990

FRONT DOOR	
Code	Options
0	Without door ¹
G	Glass door
S	Sheet steel door
P	Perforated sheet steel door ²
W	Vented door (perforation rate 86%) ²
	Other

¹ no IP protection
² IP20 max.

EXTRUSIONS			
Code	Front pair	Rear pair	Note
0	L	L	L-type undivided extrusions

FRONT DOOR LOCK	
Code	Options
V	Swivel handle DIN profile, universal key, 333
	Other

REAR DOOR / PANEL LOCK	
Code	Options
V	Swivel handle DIN profile, universal key, 333
U	Lock for rear panel, universal key
	Other

REAR DOOR / PANEL	
Code	Options
0	Without panel/door ¹
S	Sheet steel door
P	Perforated sheet steel door ²
W	Vented door (perforation rate 86%) ²
Y	Rear panel – single piece ⁷
	Other

¹ no IP protection
² IP20 max.

IP RATING ¹	
Code	Options
0	IP00
2	IP20
3	IP30

PLATES	
Code	Options
0	Top & bottom plates – Integral

SIDE PANELS (BOTH SIDES) *	
Code	Options
0	No side panels
A	2 side panels, sheet steel, universal key
	Other

* open side/sides results in no IP protection

LOAD RATING		
Code	Load rating in kg	Note
3	300	standard for racks height 15 – 33U
4	500	standard for racks height 42 – 48U

COLOR	
Code	Note
B	RAL 7035 (light gray)
H	RAL 9005 (black)

An example of a correct product code

RI7-45-60/60-GVSVA-304-H