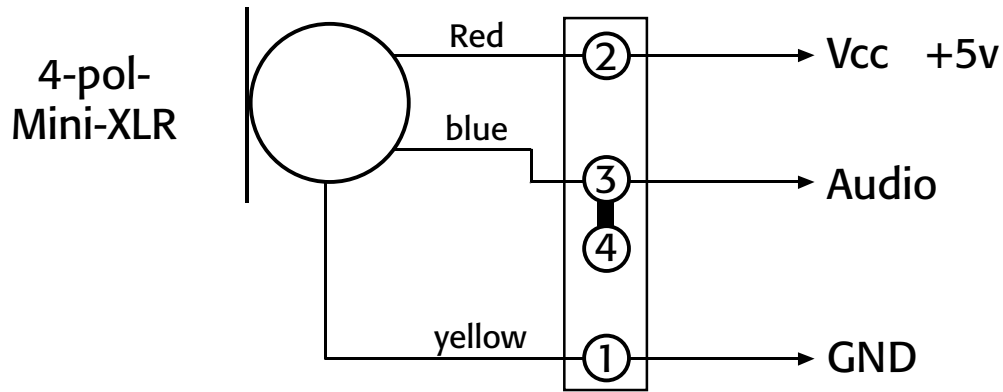
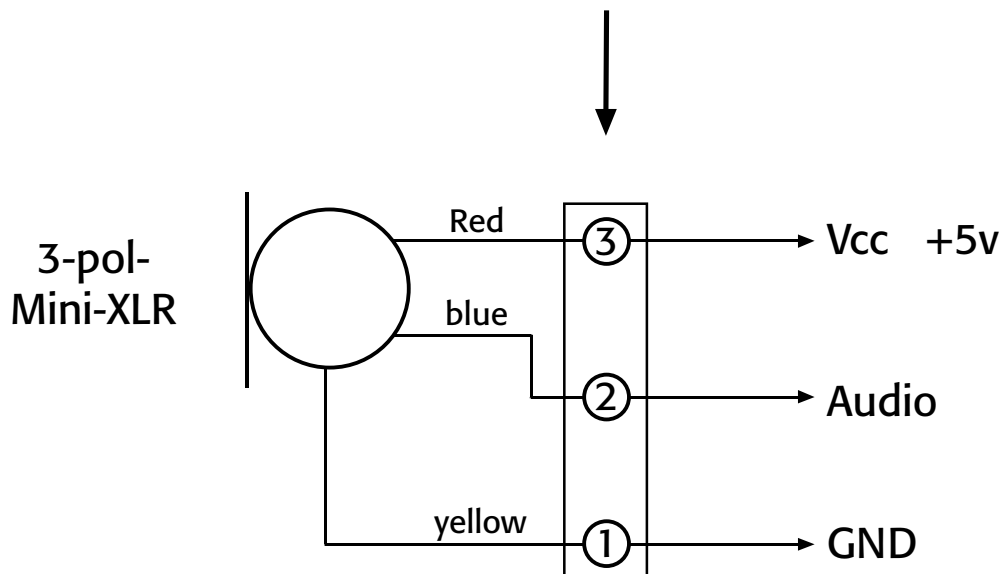


Anschlussdiagramm für Electret Lavalier-/Kopfbügelmikrofone

Connection diagram for Electret lavalier microphones resp. Electret headband microphones



**CM-501
CX-504**

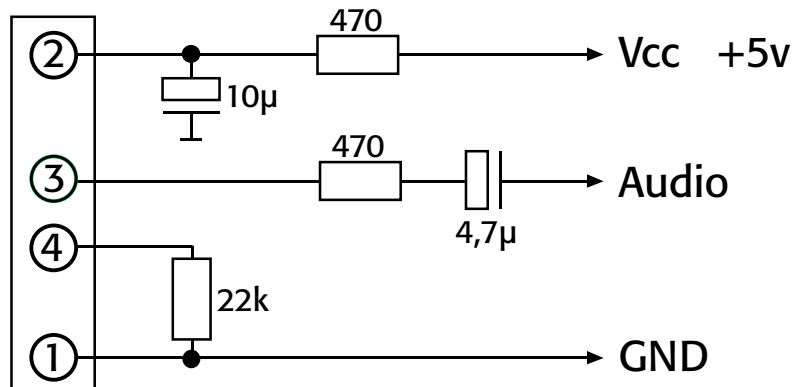


JTS ® MONACOR [®] INTERNATIONAL <small>Vertrieb von JTS-Produkten - Distribution of JTS products</small>		
CM-501 CX-504	Electret lavalier microphone Electret headband microphone	
CM_501_CX_504.pdf	11.03.10	GR

Anschlussdiagramm der Taschensender mit 3-poliger/4-poliger Anschlussbuchse

Connection diagram of the pocket transmitters with 3-pole/4-pole connection jack

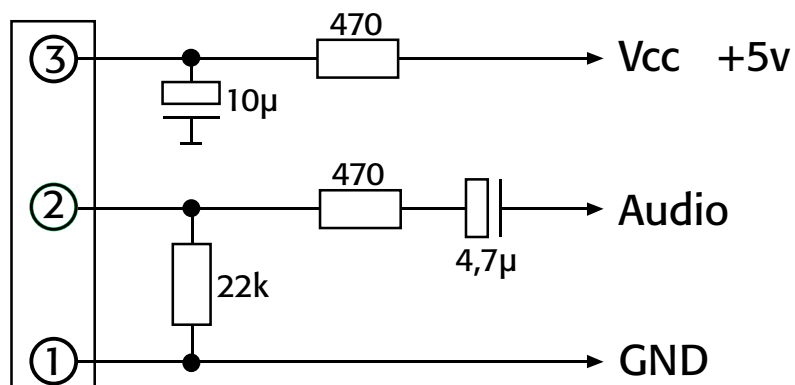
4-pole-
pocket
transmitter




PT-850B
PT-920B
PT-920BG
PT-950B
PT-990B
IN-64TB

JTS ®		MONACOR INTERNATIONAL
<small>Vertrieb von JTS-Produkten - Distribution of JTS products</small>		
PT-850B PT-920B PT-920BG	PT-950B PT-990B IN-64TB	UHF PLL pocket transmitter with lavalier microphone
PT...B_IN_64TB_TXS_870HSE_890HSE.pdf	12.03.10	GR

3-pole-
pocket
transmitter



TXS-870HSE
TXS-890HSE

		Stage Line ®
TXS-870HSE TXS-890HSE	Multifrequency UHF PLL pocket transmitter	
PT...B_IN_64TB_TXS_870HSE_890HSE.pdf	12.03.10	GR